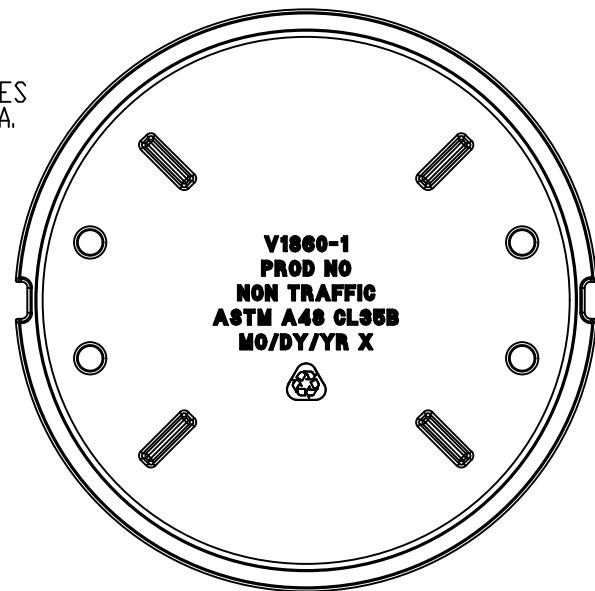
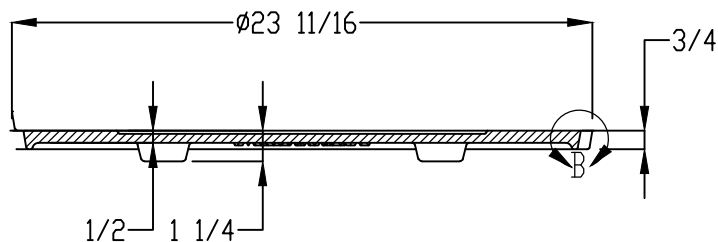


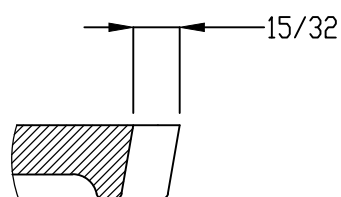
PLAN



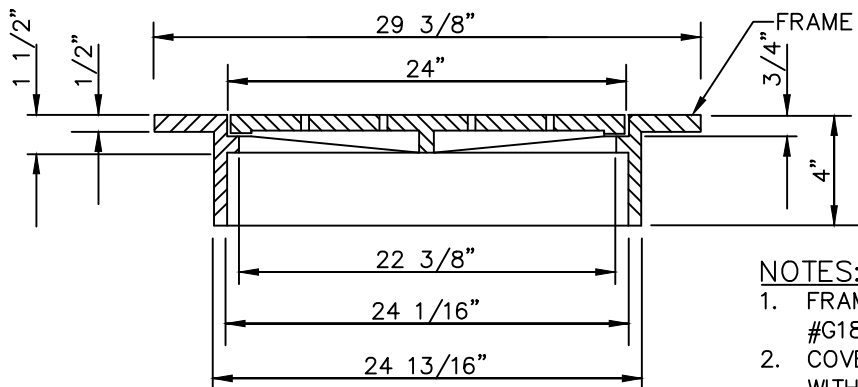
BOTTOM VIEW



COVER SECTION A-A



DETAIL B
SCALE 1 : 2



FRAME SECTION

NOTES:

1. FRAME AND COVER TO BE EAST JORDAN CATALOG #G1860RG OR EQUIVALENT (WEIGHT 120 LBS.)
2. COVER MUST PROVIDE "CITY OF SAVANNAH" LOGO WITH FISH IMAGE (SEE ATTACHED FOR DETAILS), "DUMP NO WASTE-DRAINS TO RIVER", "MADE IN USA", AND FOUNDRY STAMP

STANDARD CONSTRUCTION
DETAILS

SAVANNAH
savannahga.gov



INLET FRAME AND COVER

PLATE NUMBER:

D5

APPROVED:

Quinn M. [Signature]
CITY ENGINEER

SCALE: N.T.S.

DATED: FEBRUARY 2019